

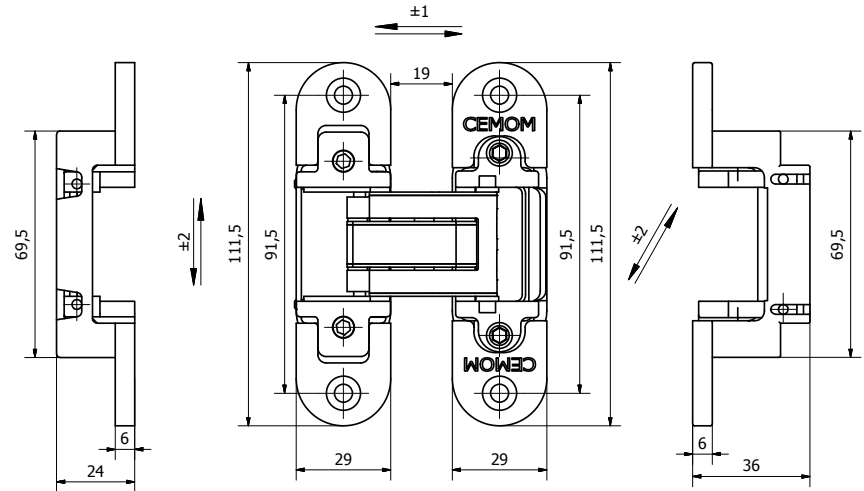
ESTETIC 80 SS304

**REVERSIBLE
3D ADJUSTABLE
80 Kg**



Load capacity ESTETIC 80 SS304

		Width of doors			
		700	800	900	1000
Load	2	103 kg	90 kg	80 kg	72 kg
	3	115 kg	100 kg	90 kg	81 kg
Capacity	4	129 kg	113 kg	100 kg	90 kg



Minimum GAP "G"

		Width of doors			
		700	800	900	1000
Minimum	Thickness of doors "G"	3	2	2	2
GAP "B"		3	3	2	2
mm		4	3	3	3

